

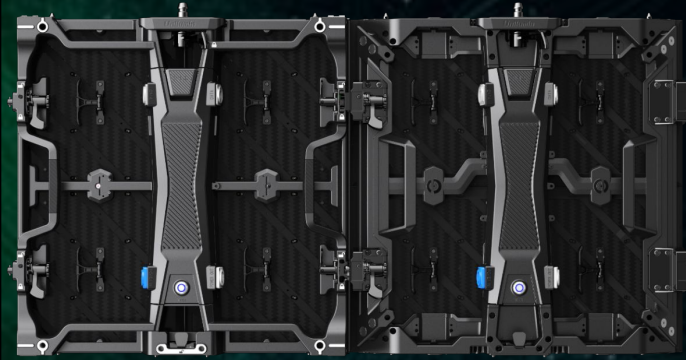
# XC Series

---

---

Beyond your imagination

# Multiple application



Flat Screen

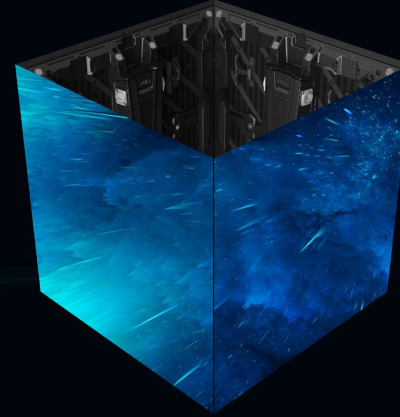
- Support installation of flat screen;
- Can be combined with normal Cabinets.

(Left side: URMIII Standard // Right side: URMIII-C cabinet)



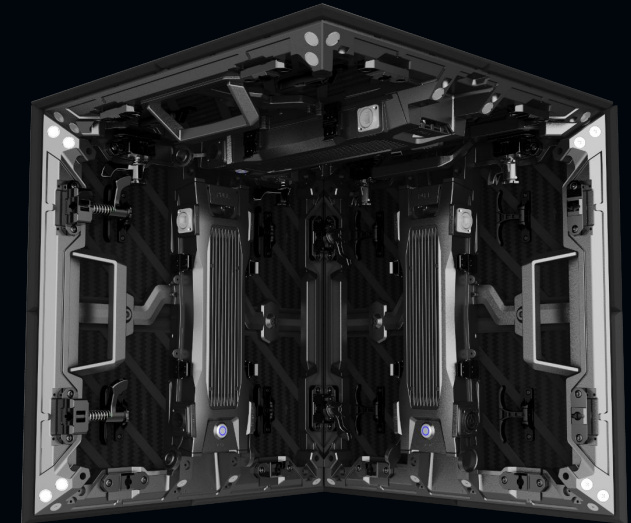
90° Corner

- Support 90° corner screen without any connection plate
- Install a 90° angle screen with corner fast locks.



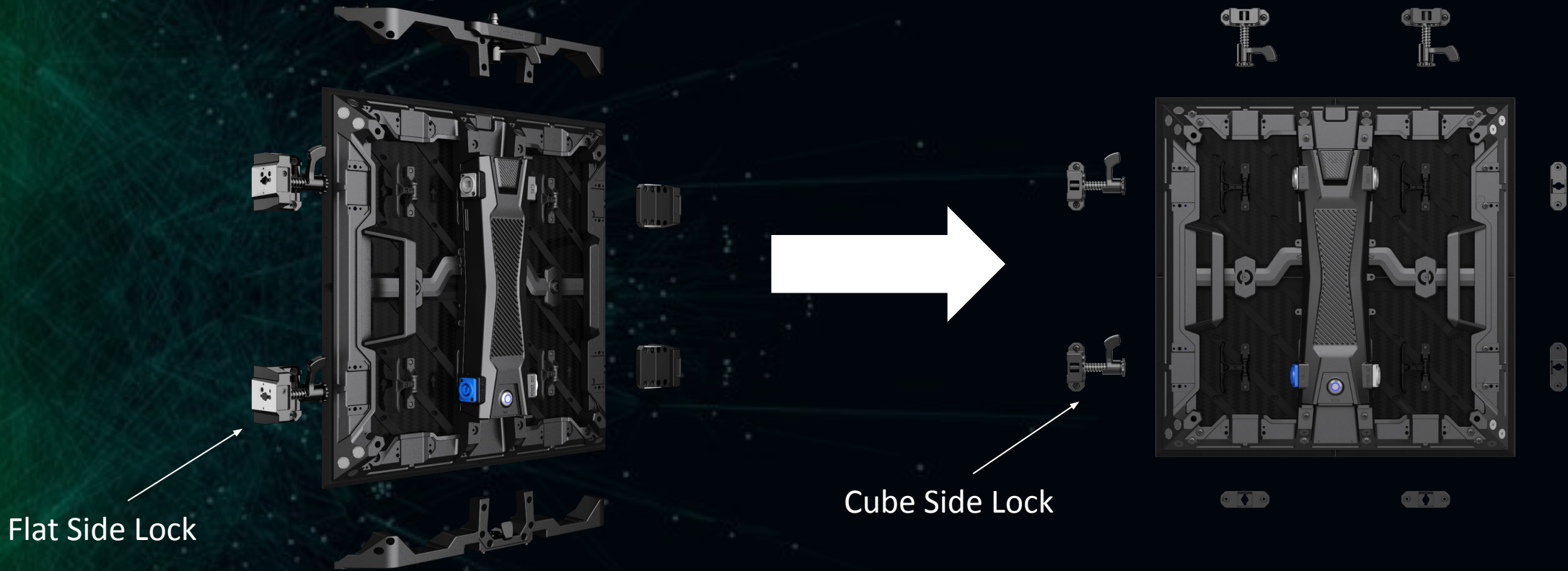
Cube

- Support creative cube installation without any connection plate
- Install a cube screen with corner fast locks



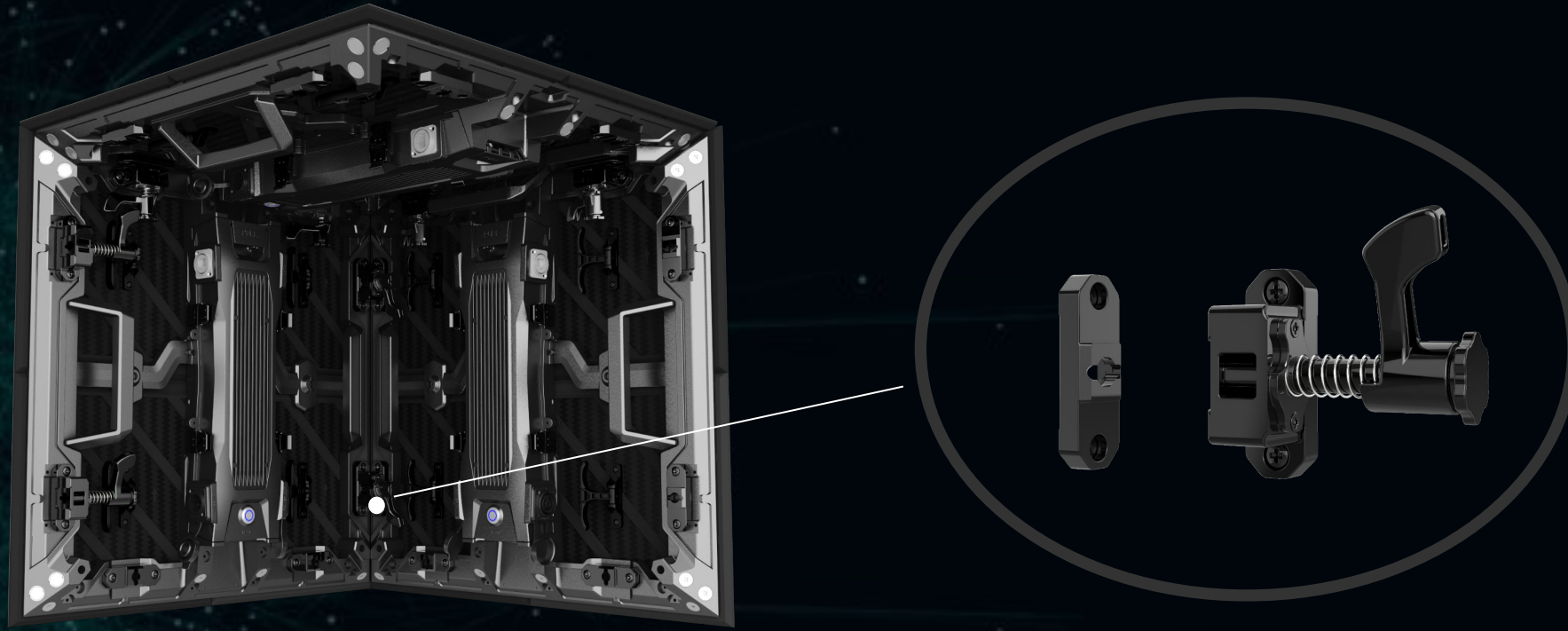
Note: Cabinet strength and flatness inferior to traditional rental cabinets due to the special design

# Cube locking system



**Removable locks transform flat and cube screen**

## Fast Lock design for corner&cube



- Allow Creative installations without cutting the cabinet - because of the removable locks;
- Quick shift accordingly to the production demand without changing cabinet structure;
- Magnets on the top and sides of the cabinet assist installation by positioning.

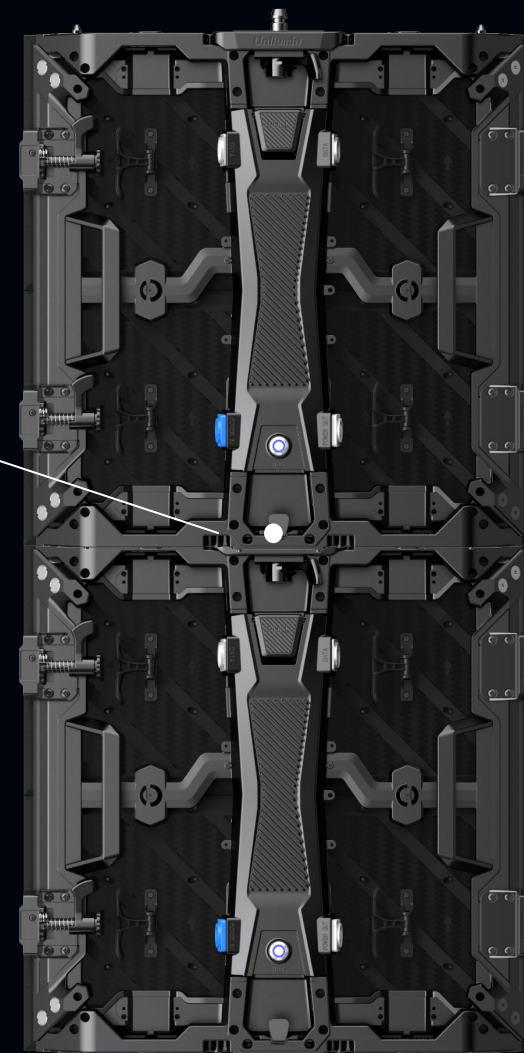
# Modular maintenance, Easy and Fast



## Faster and easy maintenance

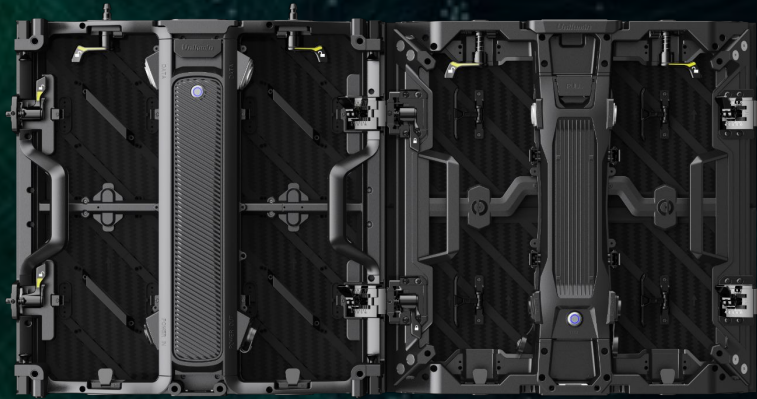
- Module&Power box&Receiving card could be fully **Rear & Front** maintained
- Free of tool for rear service
- Easy modularized maintenance for power box in 10s.

# Single person Installation for traditional rental

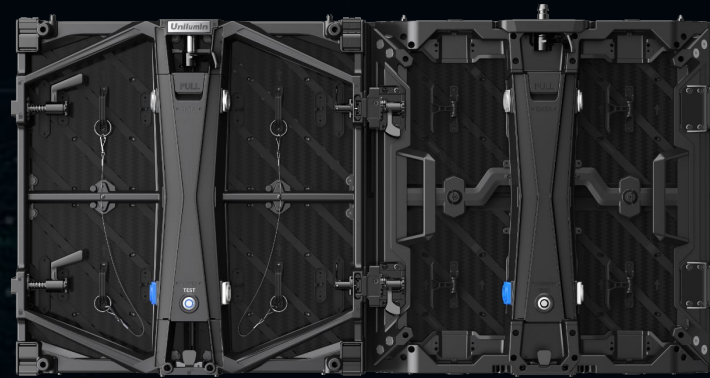


- Automatic lock design enables one engineer to finish installation, disassembly and maintenance.

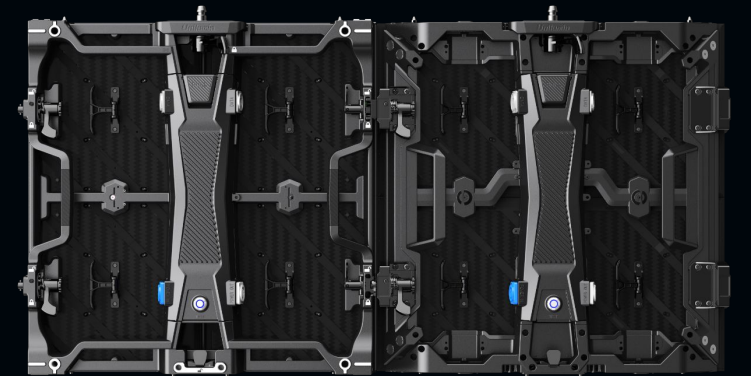
# Compatible Solution



URMIII-C



UpadIV-C



UpadIV Pro-C

Compatible with UpadIV, URMIII, UpadIV Pro to meet a variety of creative cube requirements.

# DDC Technology (Dual Drive Configuration)

Two modes by one switch  
One screen for dual uses



High light mode

In general, the picture goes blurry with 10 % of reduction in brightness.

# HDR Technology

---

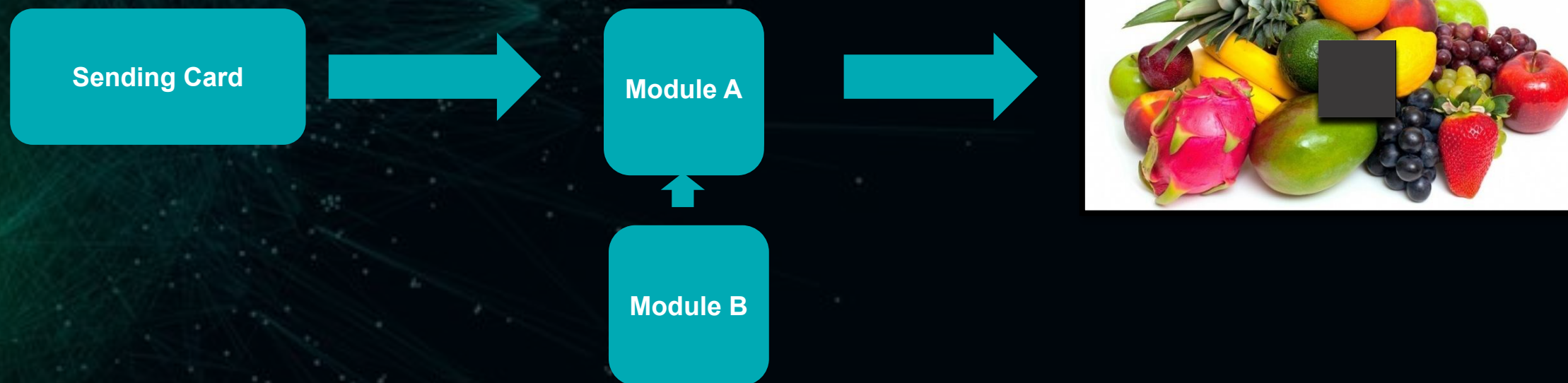


High resolution  
16bit high gray level  
Support 10bit video

# Automatic calibration

---

Calibration data will be updated automatically when the module is replaced.



# Installation



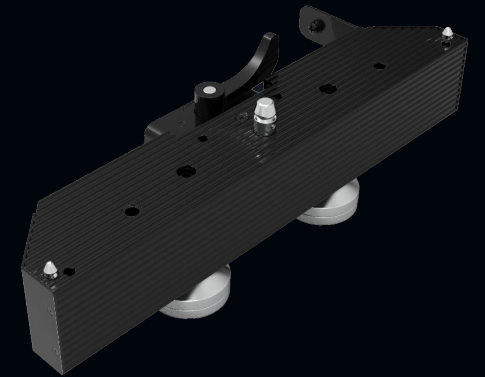
Backframe



Clamp



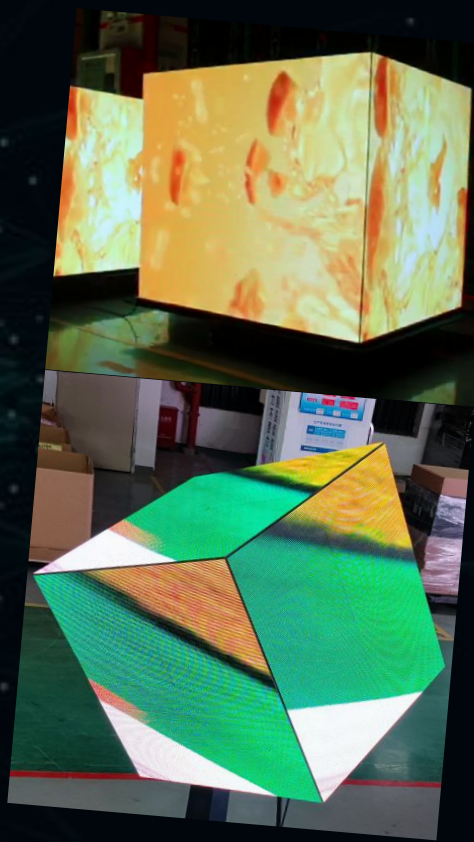
Ground Bar Support



Ground Bar (45°)



Square column



Cube



Creative Combination